

# Symmetrical Horn Antenna TP



SYMMETRICAL HORN Gen2 ANTENNA WITH TWISTPORT™ CONNECTOR

HG3-TP-S30, HG3-TP-S40, HG3-TP-S50, HG3-TP-S60,  
HG3-TP-S70, HG3-TP-S80, HG3-TP-S90



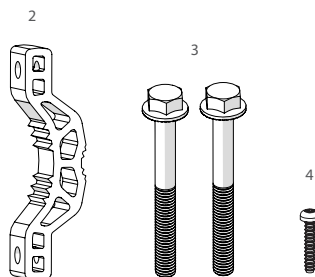
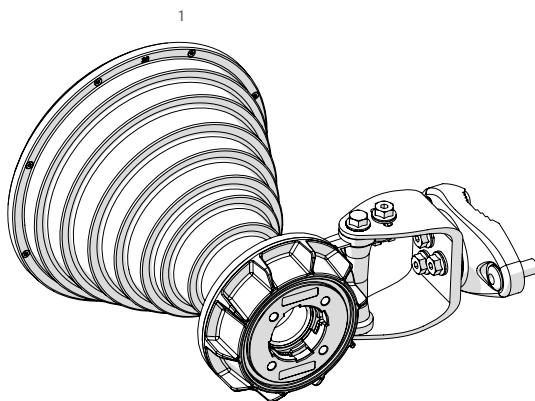
# Symmetrical Horn Gen2 SH-TP

## Overview

	Product ID	Dimensions	Weight	Gain
<b>30° Horn SH-TP Gen2 5-30</b>	HG3-TP-S30	306x283x217 mm	2.1 Kg 4.6 lbs	18.5 dBi
<b>40° Horn SH-TP Gen2 5-40</b>	HG3-TP-S40	306x224x217 mm	2 Kg 4.4 lb	16.2 dBi
<b>50° Horn SH-TP Gen2 5-50</b>	HG3-TP-S50	273x163x151 mm	1.5 Kg 3.3 lbs	14.3 dBi
<b>60° Horn SH-TP Gen2 5-60</b>	HG3-TP-S60	273x162x151 mm	1.4 Kg 3.0 lbs	13.2 dBi
<b>70° Horn SH-TP Gen2 5-70</b>	HG3-TP-S70	273x151x145 mm	1.4 Kg 3.0 lbs	11.5 dBi
<b>80° Horn SH-TP Gen2 5-80</b>	HG3-TP-S80	273x151x143 mm	1.4 Kg 3.0 lbs	10.4 dBi
<b>90° Horn SH-TP Gen2 5-90</b>	HG3-TP-S90	273x151x138 mm	1.3 Kg 2.8 lbs	10 dBi

# Symmetrical Horn Gen2 SH-TP

## Package Contents



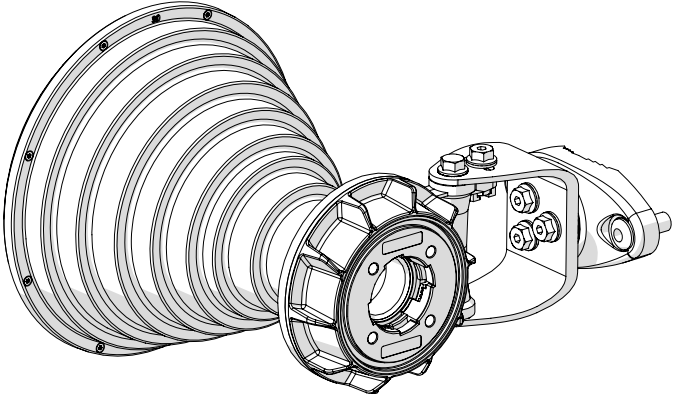
Number	Description	Quantity
1	SH-TP Body	1x
2	SH-TP Bracket	1x
3	M8 x 75mm Screw	2x
4	2,9 x 16 mm Lock Screw	1x

# Symmetrical Horn Gen2 SH-TP

Step 1

## Pre - Installation

The antenna is pre-assembled for installation on the left side of the pole.  
If you need to swap to use the right side of the pole, see step 7.

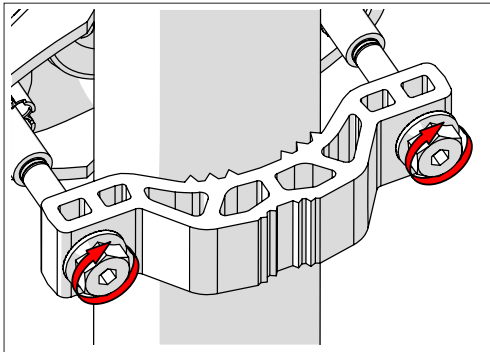
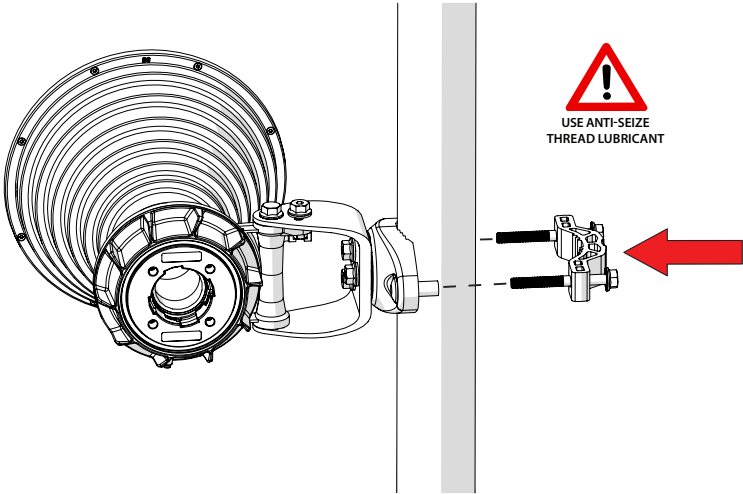


Model HG3-TP-S30 shown. Installation instructions are identical for other Symmetrical Horn models. Antenna dimensions may differ.

# Symmetrical Horn Gen2 SH-TP

Step 2

## Pole Installation

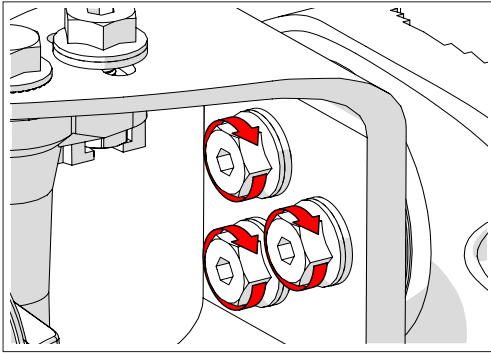
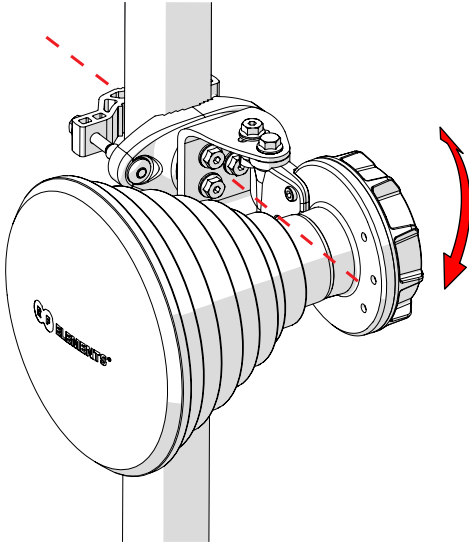


Model HG3-TP-S30 shown. Installation instructions are identical for other Symmetrical Horn models. Antenna dimensions may differ.

# Symmetrical Horn Gen2 SH-TP

Step 3

## Installation Guide

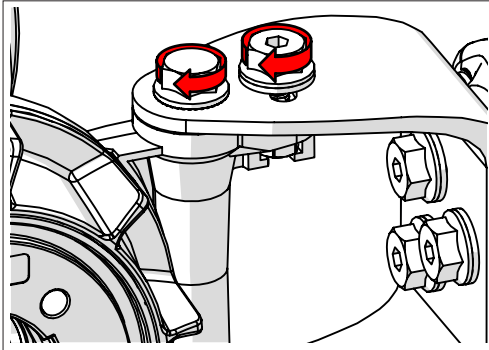
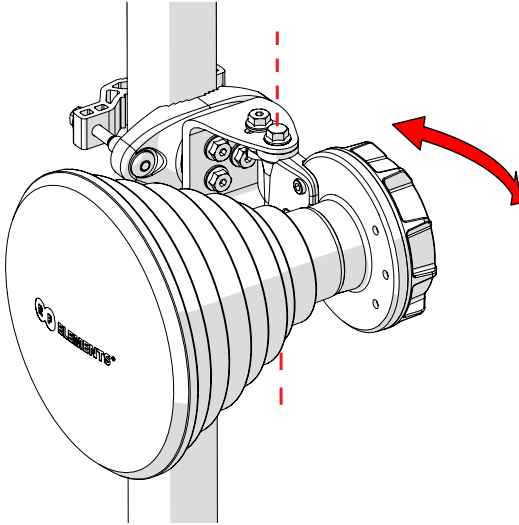


Model HG3-TP-S30 shown. Installation instructions are identical for other Symmetrical Horn models. Antenna dimensions may differ.

# Symmetrical Horn Gen2 SH-TP

Step 4

## Installation Guide

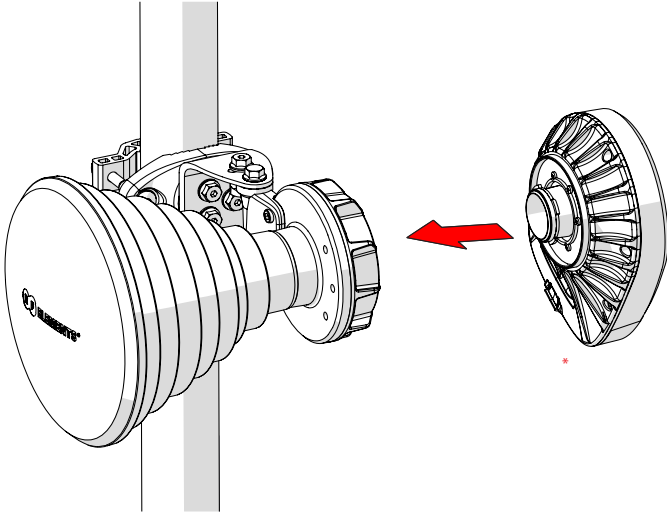


Model HG3-TP-S30 shown. Installation instructions are identical for other Symmetrical Horn models. Antenna dimensions may differ.

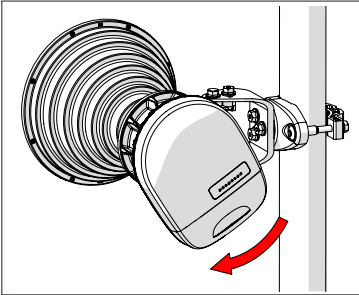
# Symmetrical Horn Gen2 SH-TP

Step 5

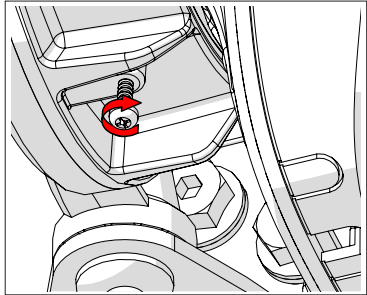
## Installation Guide



1



2 **Optional:** Install the 2.9 x 16mm locking screw.



Tighten the locking screw to secure the TwisPort™ lock mechanism.

\* TwisPort™ Adaptor or SIMPER™ Radio sold separately.

Model HG3-TP-S30 shown. Installation instructions are identical for other Symmetrical Horn models. Antenna dimensions may differ.

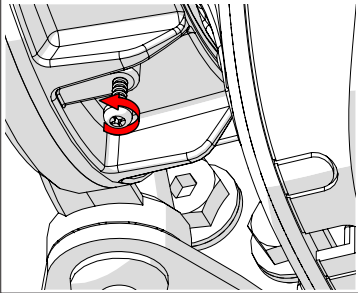


# Symmetrical Horn Gen2 SH-TP

Step 6

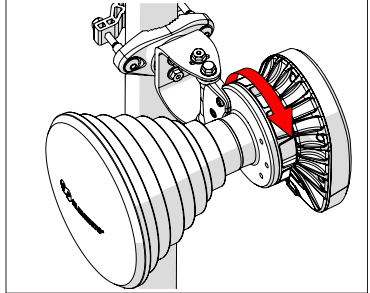
## Uninstallation Guide

1 If the locking screw was used,

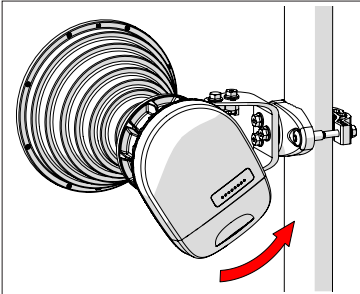


unscrew it by about 10 mm before unlocking the TwistPort™ mechanism.

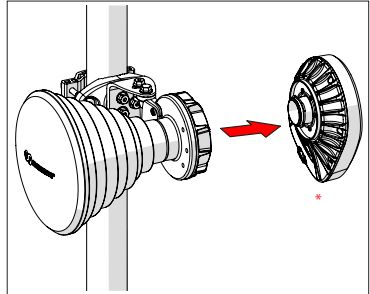
2



3



4



\* TwistPort™ Adaptor or SIMPER™ Radio sold separately.

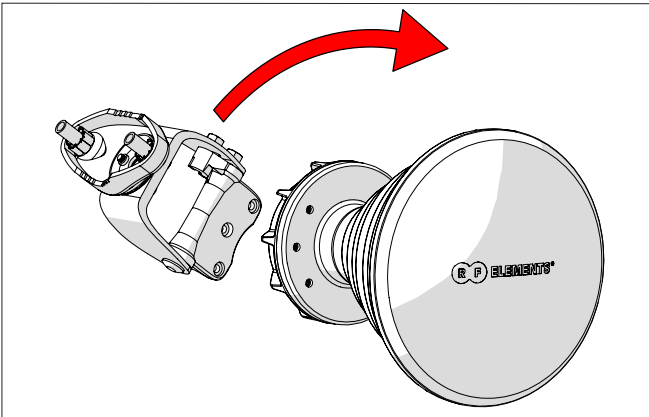
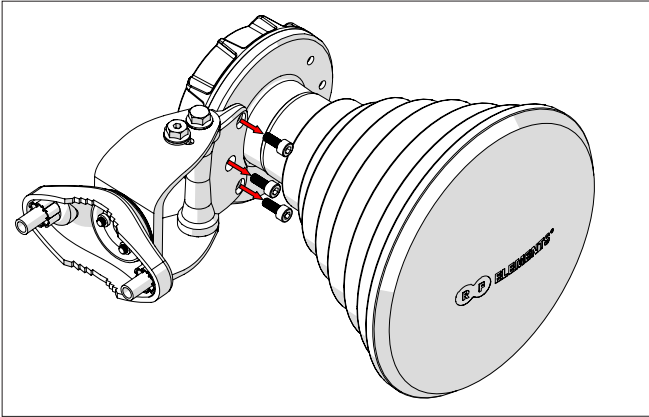
Model HG3-TP-S30 shown. Installation instructions are identical for other Symmetrical Horn models. Antenna dimensions may differ.

# Symmetrical Horn Gen2 SH-TP

Step 7

Pre - Installation

**Optional:** Right side of the pole mounting.



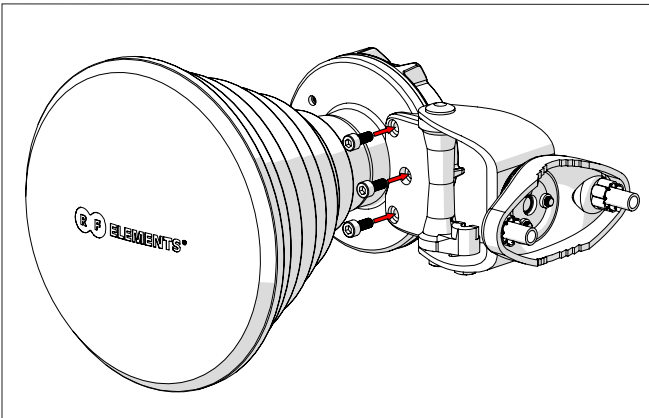
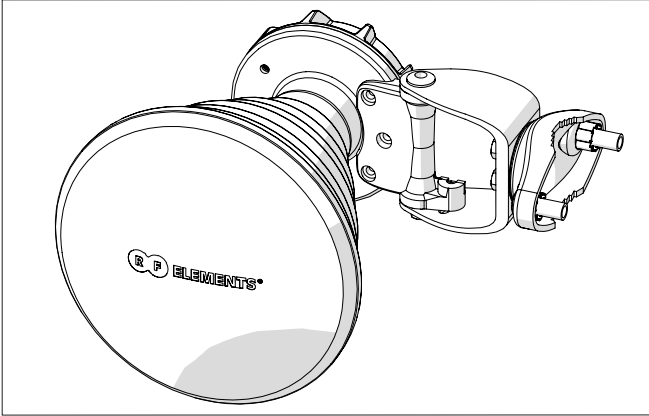
Model HG3-TP-S30 shown. Installation instructions are identical for other Symmetrical Horn models. Antenna dimensions may differ.

# Symmetrical Horn Gen2 SH-TP

Step 8

Pre - Installation

**Optional:** Right side of the pole mounting.



Model HG3-TP-S30 shown. Installation instructions are identical for other Symmetrical Horn models. Antenna dimensions may differ.

## Compatible Devices

### **RF elements®**

any TwistPort™ Adaptor

any SIMPER™ Radio with TwistPort™ connector



RF elements®, SIMPER™ and TwistPort™  
are trademarks of RF elements s.r.o., Humenne, Slovakia.

All rights of trademark owners reserved.



RF elements s.r.o.  
Phone: +421 2 3260 3711  
info@rfelements.com  
[www.rfelements.com](http://www.rfelements.com)