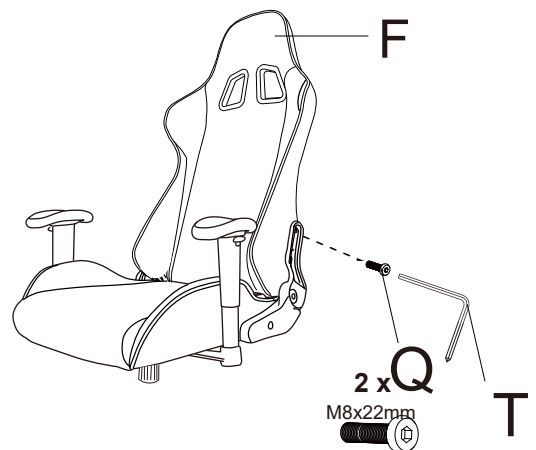
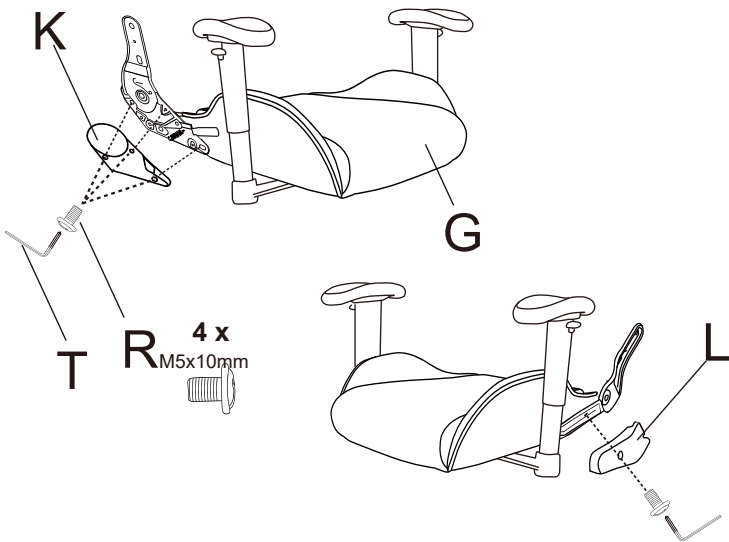
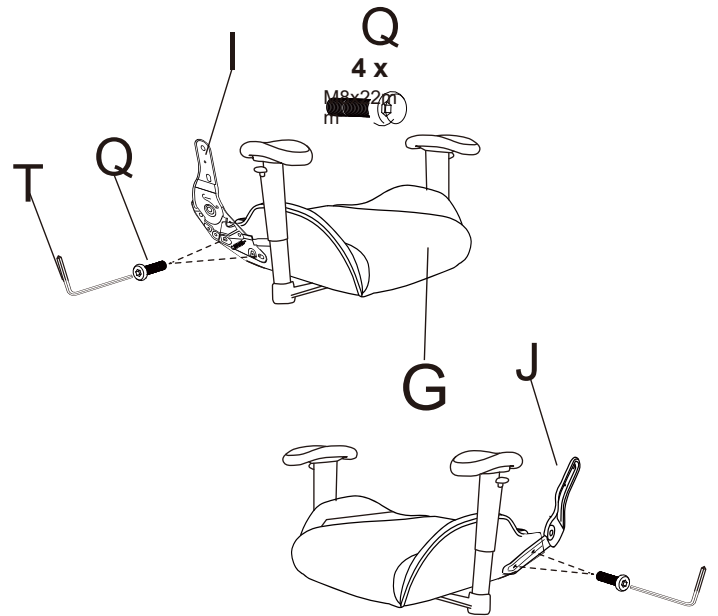
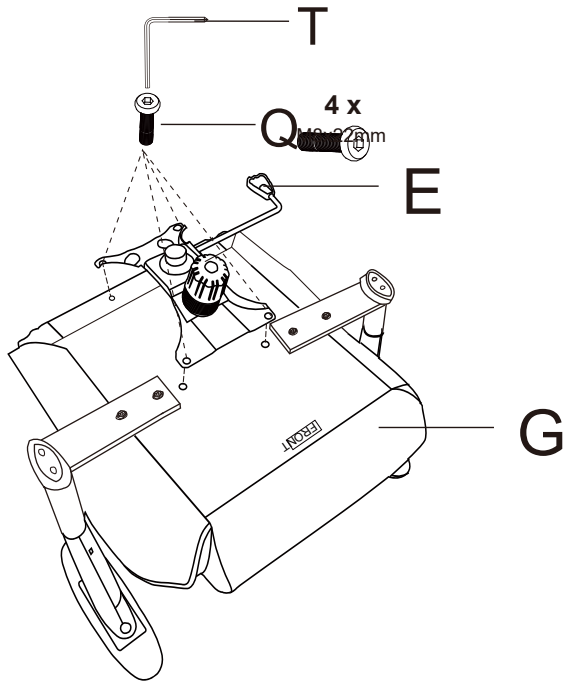
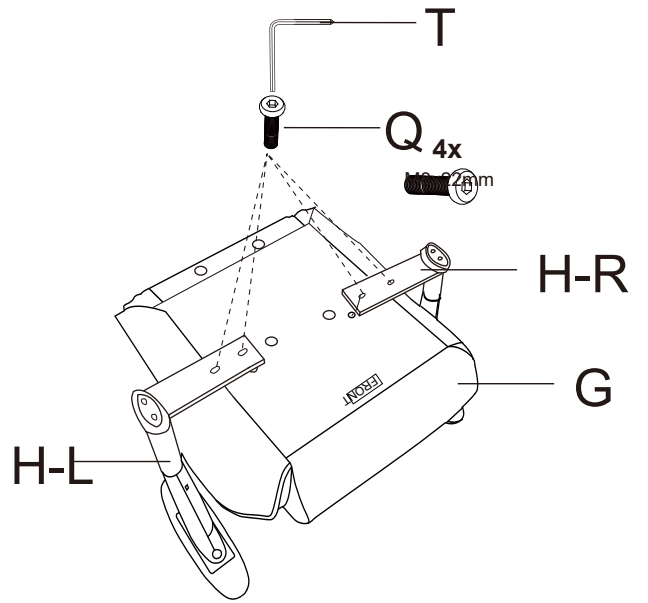
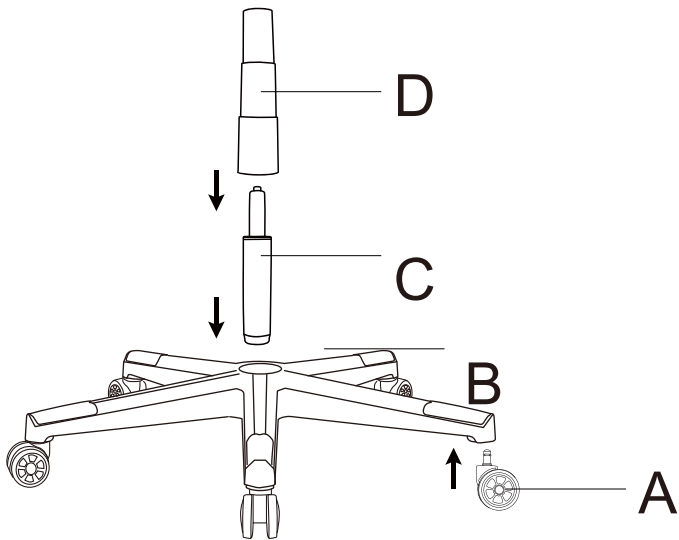
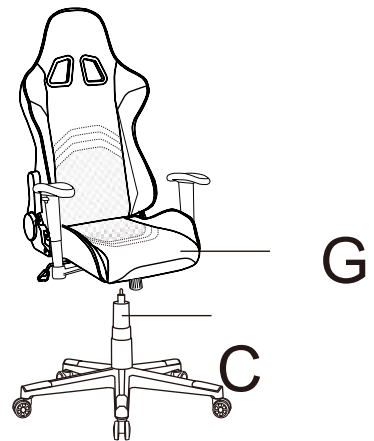
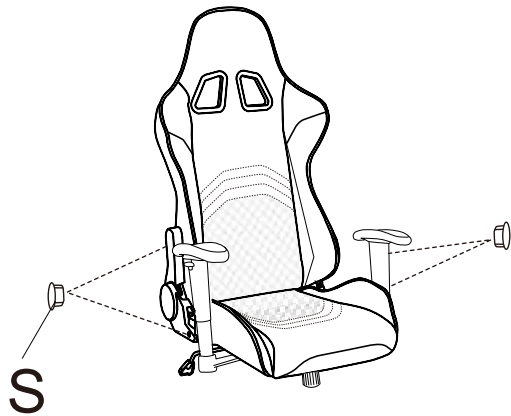
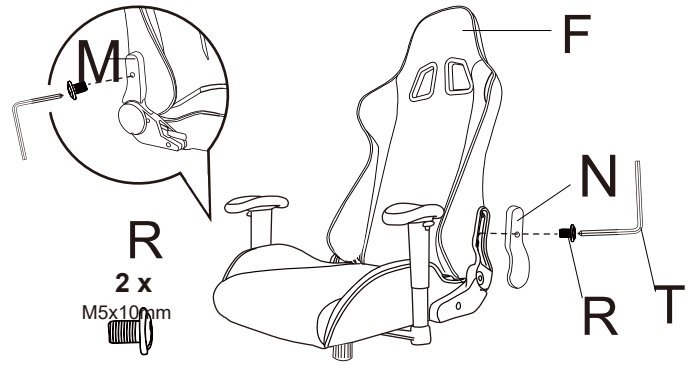
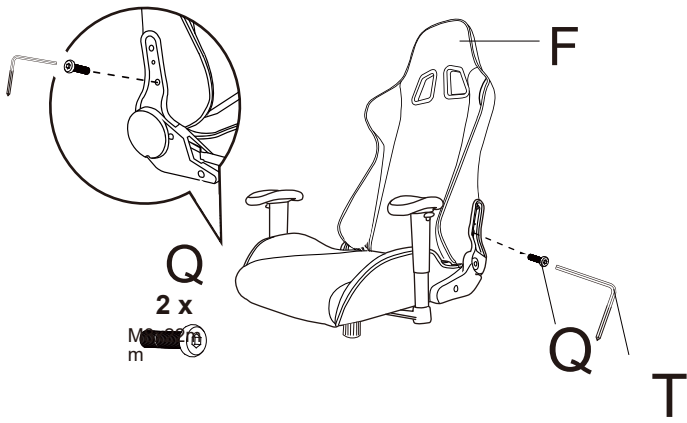


PROVINCE 5



PROVINCE 5

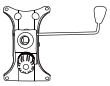


A



x5

E



x1

I



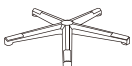
x1

M



x1

B



x1

F



x1

J



x1

N



x1

C



x1

G



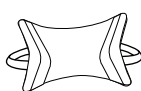
x1

K



x1

O



x1

D



x1

H-L / H-R



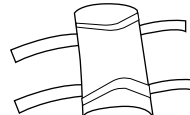
x2

L



x1

P



x1

Q (M8x22mm)



x 16

R (M5 x 10mm)



x 6

S



x 4

T



x 1