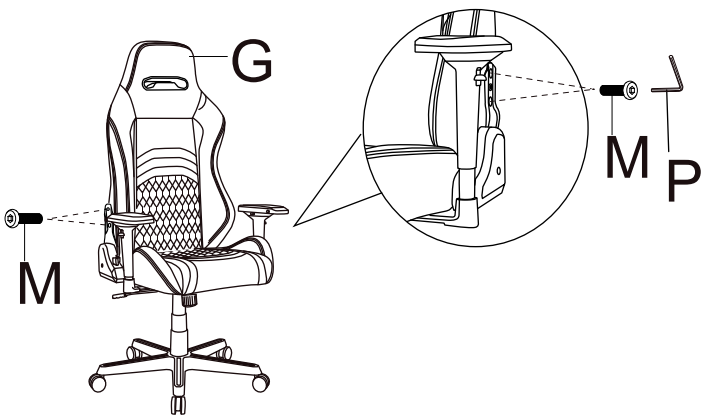
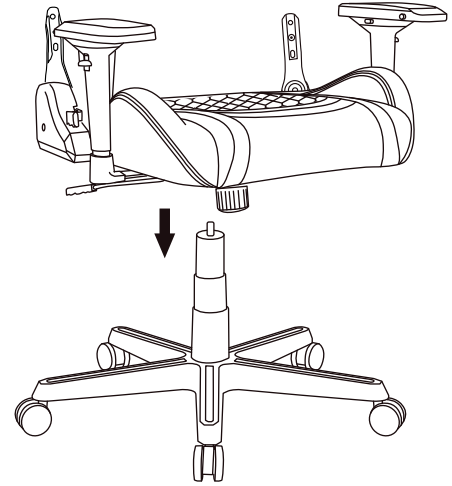
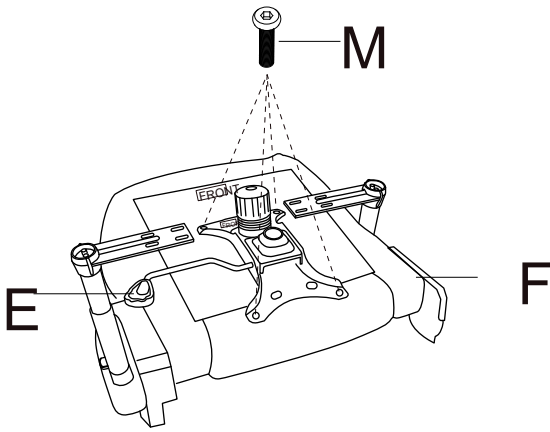
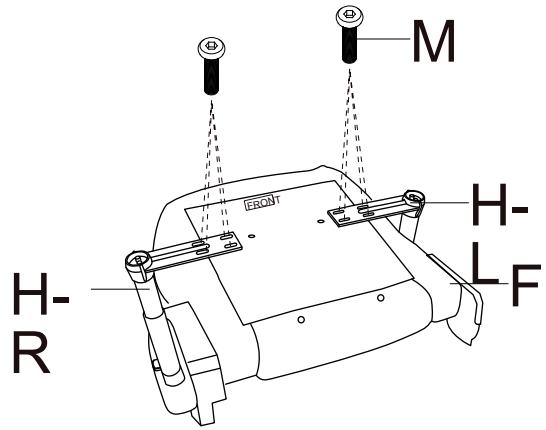
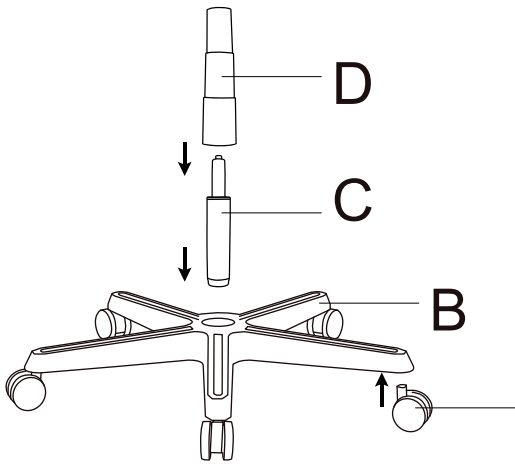


PROVINCE 5



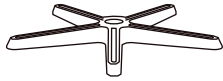
PROVINCE 5

A



x5

B



x1

C



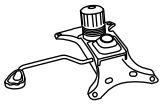
x1

D



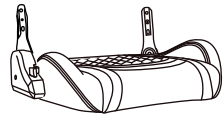
x1

E



x1

F



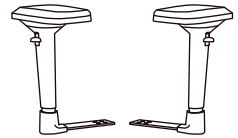
x1

G



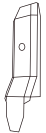
x1

H-L / H-R



x2

I



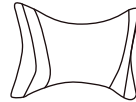
x1

J



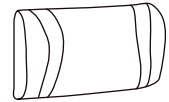
x1

K



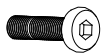
x1

L



x1

M (M8x22mm)



x 16

N (M5 x 8mm)



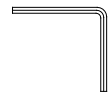
x 2

O



x 4

P



x 1